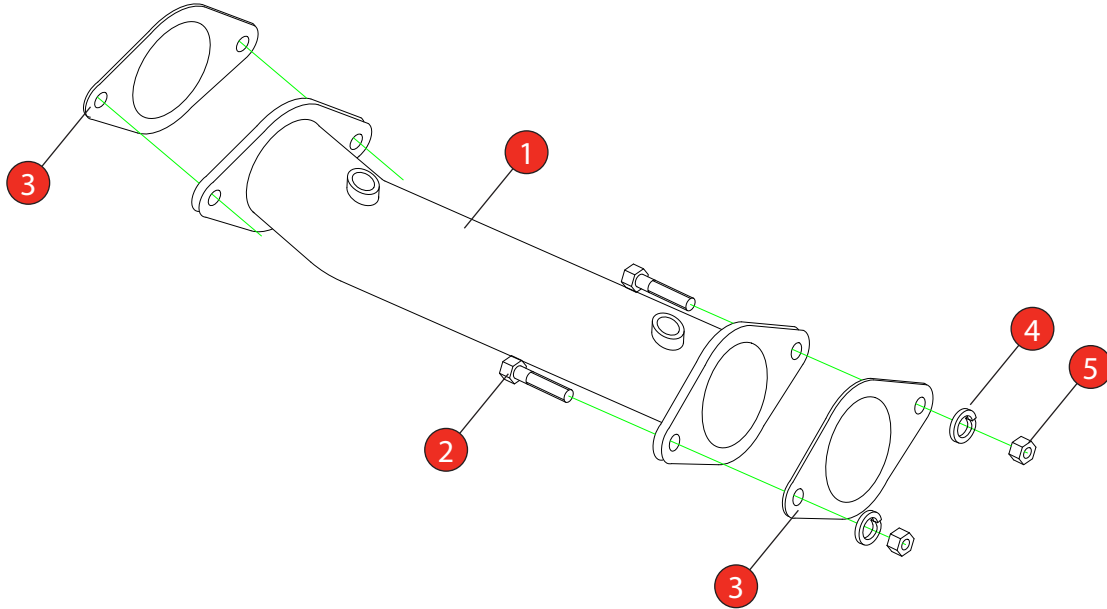


| | | | |
|--------------|--|-----------------|----------------------|
| Car | Hyundai i20N | Part No. | SHYP107 |
| Year | 2021-Current | Fit Kits | 398FK |
| Notes | Where not supplied use original fittings | Features | Pipe Diameter:- 76mm |

Estimated Fitting Time: 60 Minutes



| NO. | PART NO. | DESCRIPTION | QTY |
|----------------|------------|--------------------------|-----|
| 1 | 019HY | Non-resonated GPF-Delete | 1 |
| Fit Kit | | | |
| 2 | Z017.12791 | M12 x 35mm Hex Head | 2 |
| 3 | Z033.10068 | High Temp Exhaust Gasket | 2 |
| 4 | Z017.12798 | M12 Spring Washer | 2 |
| 5 | Z017.10182 | M12 Nut | 2 |

| | |
|----------------|---------------------|
| CLASSIFICATION | Motorsport Use Only |
| HOMOLOGATED | No |
| DATE | 05/08/2022 |
| ISSUE | 01 |
| AUTHORISED | S Shipley |

NOTE: ENSURE SCORPION SYSTEM IS CLEAR OF MOVING PARTS AND ALL ORIGINAL FUNCTIONS WORK CORRECTLY.



STAY CONNECTED TO RED POWER.